

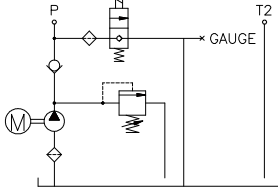
THE INFORMATION CONTAINED IN THIS DRAWING IS THE SOLE PROPERTY OF SPX FLUID POWER. ANY REPRODUCTION IN PART OR AS A WHOLE WITHOUT THE WRITTEN PERMISSION OF SPX FLUID POWER IS PROHIBITED.

**** NAMEPLATE INFORMATION ****

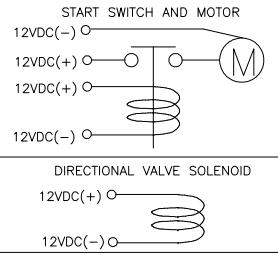
STONE®	
ASSEMBLED IN *	
CODE	UD2623
SERIAL NO.	
MAXIMUM SAFE PRESSURE	250 BAR
VOLTAGE	12 VDC
MAXIMUM RECOMMENDED WORKING PRESSURE	175 BAR
www.stonehydraulics.com	

*FILL IN COUNTRY OF ORIGIN

**** HYDRAULIC CIRCUIT ****



**** ELECTRIC CIRCUIT ****



**** UNIT SPECIFICATION ****

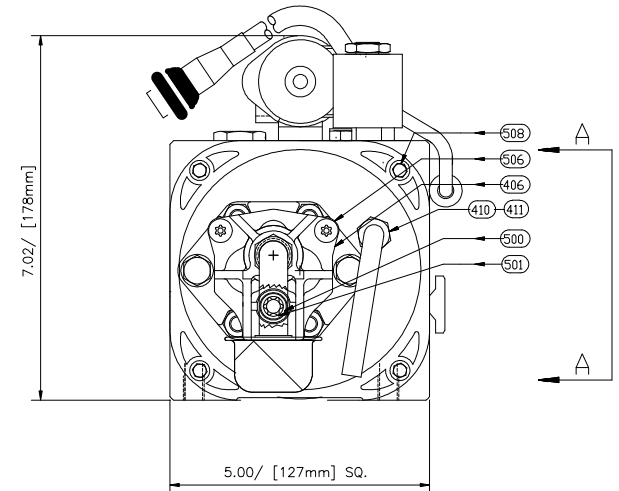
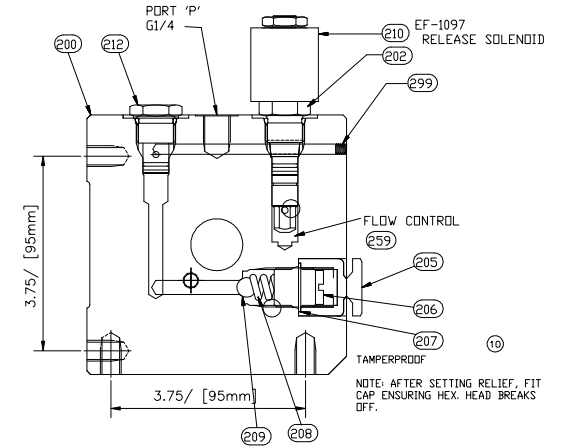
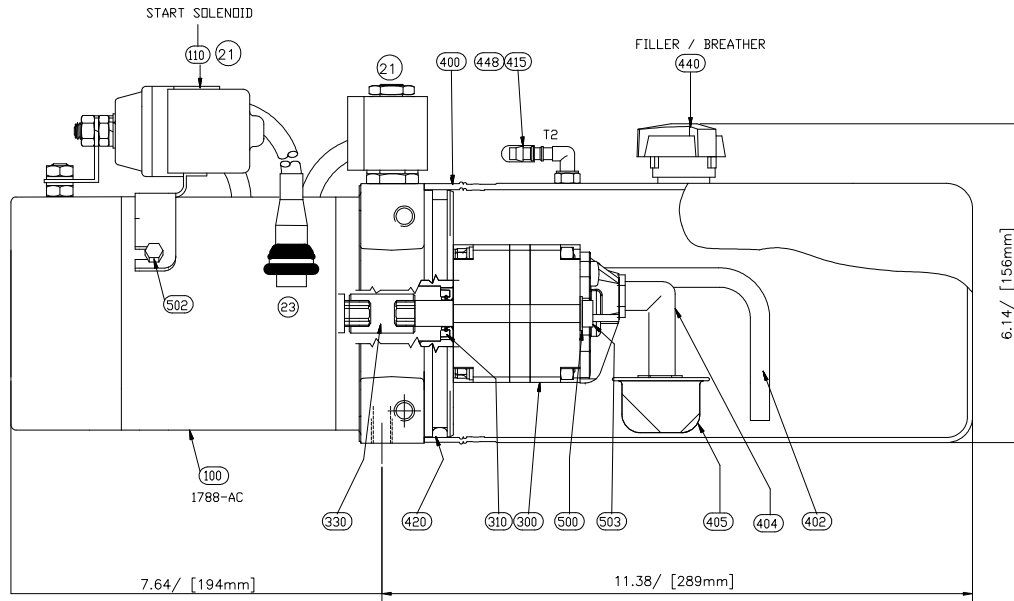
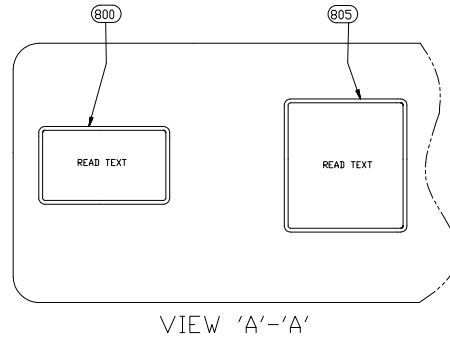
MOTOR	12 VOLT DC; 2 TERMINAL; SPLINE SHAFT
PUMP	A.F.C. 2.5 CC/REV. (153 CU.IN./REV.)
RELIEF	ADJUSTABLE SPRING RELIEF W/T.P. CAP SET AT 2540 P.S.I. (175 bar)
ENDHEAD	SPECIAL N1
TANK	PLASTIC 5" [127mm] SQ. x 10.98" [278mm] LG USABLE CAPACITY .69 GAL. [2.6L]
VALVING	RELIEF, CHECK, & SOLENOID RELEASE W/2.0 GPM [7.5LPM] P.C.F.C.
WIRING	AS SHOWN IN ELECTRIC CIRCUIT
ASSEMBLY FINISHING	WIPE UNIT CLEAN OF OIL APPLY NAMEPLATE TO TANK PLUG MOTOR DRAIN HOLES
PACKING SHIPPING	SHIP 04-1000-00 LOOSE IN CARTON BULK PACK 20 UNITS PER CARTON CARTONS ON PALLET

**** UNIT PERFORMANCE ****

NOMINAL PERFORMANCE AT 11.5 VOLTS
FLOW AT 2050 P.S.I. = 1.6 GPM MIN. - 1.9 GPM MAX.
[FLOW AT 140 bar = 5.9 LPM MIN. - 7.2 LPM MAX.]

SPX MANUFACTURING STANDARDS

FASTENER TORQUES LABELING	2.11.01 2.16.59
WARNING	
THIS POWER UNIT DOES NOT CONTAIN DEVICES WHICH PROTECT USERS FROM THE EFFECTS OF SUDDEN LOSS OF PRESSURE IN HYDRAULIC CYLINDERS.	



				REPORT ERRORS TO ENGINEERING		 HYDRAULIC TECHNOLOGIES DC POWER PACK SLIMLINE REPLACEMENT (UXY) (M26SX 2.5 C01 P14H)			
DRAWN BY		LZHU		28-JUN-11				PART NO.	
CHECKED BY						EXP. SERVICE PARTS LIST:		NONE	
DATE		28-JUN-11		ECO		DRAWN		LZHU	
ECO		DRAWN		CHK'D		LEVEL		0	
DATE		28-JUN-11		ECO		DRAWN		LZHU	
ECO		DRAWN		CHK'D		LEVEL		0	
DATE		28-JUN-11		ECO		DRAWN		LZHU	
ECO		DRAWN		CHK'D		LEVEL		0	
DATE		28-JUN-11		ECO		DRAWN		LZHU	
ECO		DRAWN		CHK'D		LEVEL		0	
DATE		28-JUN-11		ECO		DRAWN		LZHU	
ECO		DRAWN		CHK'D		LEVEL		0	
DATE		28-JUN-11		ECO		DRAWN		LZHU	
ECO		DRAWN		CHK'D		LEVEL		0	
DATE		28-JUN-11		ECO		DRAWN		LZHU	
ECO		DRAWN		CHK'D		LEVEL		0	
DATE		28-JUN-11		ECO		DRAWN		LZHU	
ECO		DRAWN		CHK'D		LEVEL		0	
DATE		28-JUN-11		ECO		DRAWN		LZHU	
ECO		DRAWN		CHK'D		LEVEL		0	
DATE		28-JUN-11		ECO		DRAWN		LZHU	
ECO		DRAWN		CHK'D		LEVEL		0	
DATE		28-JUN-11		ECO		DRAWN		LZHU	
ECO		DRAWN		CHK'D		LEVEL		0	
DATE		28-JUN-11		ECO		DRAWN		LZHU	
ECO		DRAWN		CHK'D		LEVEL		0	
DATE		28-JUN-11		ECO		DRAWN		LZHU	
ECO		DRAWN		CHK'D		LEVEL		0	
DATE		28-JUN-11		ECO		DRAWN		LZHU	
ECO		DRAWN		CHK'D		LEVEL		0	
DATE		28-JUN-11		ECO		DRAWN		LZHU	
ECO		DRAWN		CHK'D		LEVEL		0	
DATE		28-JUN-11		ECO		DRAWN		LZHU	
ECO		DRAWN		CHK'D		LEVEL		0	
DATE		28-JUN-11		ECO		DRAWN		LZHU	
ECO		DRAWN		CHK'D		LEVEL		0	
DATE		28-JUN-11		ECO		DRAWN		LZHU	
ECO		DRAWN		CHK'D		LEVEL		0	
DATE		28-JUN-11		ECO		DRAWN		LZHU	
ECO		DRAWN		CHK'D		LEVEL		0	
DATE		28-JUN-11		ECO		DRAWN		LZHU	
ECO		DRAWN		CHK'D		LEVEL		0	
DATE		28-JUN-11		ECO		DRAWN		LZHU	
ECO		DRAWN		CHK'D		LEVEL		0	
DATE		28-JUN-11		ECO		DRAWN		LZHU	
ECO		DRAWN		CHK'D		LEVEL		0	
DATE		28-JUN-11		ECO		DRAWN		LZHU	
ECO		DRAWN		CHK'D		LEVEL		0	
DATE		28-JUN-11		ECO		DRAWN		LZHU	
ECO		DRAWN		CHK'D		LEVEL		0	
DATE		28-JUN-11		ECO		DRAWN		LZHU	
ECO		DRAWN		CHK'D		LEVEL		0	
DATE		28-JUN-11		ECO		DRAWN		LZHU	
ECO		DRAWN		CHK'D		LEVEL		0	
DATE		28-JUN-11		ECO		DRAWN		LZHU	
ECO		DRAWN		CHK'D		LEVEL		0	
DATE		28-JUN-11		ECO		DRAWN		LZHU	
ECO		DRAWN		CHK'D		LEVEL		0	
DATE		28-JUN-11		ECO		DRAWN		LZHU	
ECO		DRAWN		CHK'D		LEVEL		0	
DATE		28-JUN-11		ECO		DRAWN		LZHU	
ECO		DRAWN		CHK'D		LEVEL		0	
DATE		28-JUN-11		ECO		DRAWN		LZHU	
ECO		DRAWN		CHK'D		LEVEL		0	
DATE		28-JUN-11		ECO		DRAWN		LZHU	
ECO		DRAWN		CHK'D		LEVEL		0	
DATE		28-JUN-11		ECO		DRAWN		LZHU	
ECO		DRAWN		CHK'D		LEVEL		0	
DATE		28-JUN-11		ECO		DRAWN		LZHU	
ECO		DRAWN		CHK'D		LEVEL		0	
DATE		28-JUN-11		ECO		DRAWN		LZHU	
ECO		DRAWN		CHK'D		LEVEL		0	
DATE		28-JUN-11		ECO		DRAWN		LZHU	
ECO		DRAWN		CHK'D		LEVEL		0	
DATE		28-JUN-11		ECO		DRAWN		LZHU	
ECO		DRAWN		CHK'D		LEVEL		0	
DATE		28-JUN-11		ECO		DRAWN		LZHU	
ECO		DRAWN		CHK'D		LEVEL		0	
DATE		28-JUN-11		ECO		DRAWN		LZHU	
ECO		DRAWN		CHK'D		LEVEL		0	
DATE		28-JUN-11		ECO		DRAWN		LZHU	
ECO		DRAWN		CHK'D		LEVEL		0	
DATE		28-JUN-11		ECO		DRAWN		LZHU	
ECO		DRAWN		CHK'D		LEVEL		0	
DATE		28-JUN-11		ECO		DRAWN		LZHU	
ECO		DRAWN		CHK'D		LEVEL		0	
DATE		28-JUN-11		ECO		DRAWN		LZHU	
ECO		DRAWN		CHK'D		LEVEL		0	
DATE		28-JUN-11		ECO		DRAWN		LZHU	
ECO		DRAWN		CHK'D		LEVEL		0	
DATE		28-JUN-11		ECO		DRAWN		LZHU	
ECO		DRAWN		CHK'D		LEVEL		0	
DATE		28-JUN-11		ECO		DRAWN		LZHU	
ECO		DRAWN		CHK'D		LEVEL		0	
DATE		28-JUN-11		ECO		DRAWN		LZHU	
ECO		DRAWN		CHK'D		LEVEL		0	
DATE		28-JUN-11		ECO		DRAWN		LZHU	
ECO		DRAWN		CHK'D		LEVEL		0	
DATE		28-JUN-11		ECO		DRAWN		LZHU	
ECO		DRAWN		CHK'D		LEVEL		0	
DATE		28-JUN-11		ECO		DRAWN		LZHU	
ECO		DRAWN		CHK'D		LEVEL		0	
DATE		28-JUN-11		ECO		DRAWN		LZHU	
ECO		DRAWN		CHK'D		LEVEL		0	
DATE		28-JUN-11		ECO		DRAWN		LZHU	
ECO		DRAWN		CHK'D		LEVEL		0	
DATE		28-JUN-11		ECO		DRAWN		LZHU	
ECO		DRAWN		CHK'D		LEVEL		0	
DATE		28-JUN-11		ECO		DRAWN		LZHU	
ECO		DRAWN		CHK'D		LEVEL		0	
DATE		28-JUN-11		ECO		DRAWN		LZHU	
ECO		DRAWN		CHK'D		LEVEL		0	
DATE		28-JUN-11		ECO		DRAWN		LZHU	
ECO		DRAWN		CHK'D		LEVEL		0	
DATE		28-JUN-11		ECO		DRAWN		LZHU	
ECO		DRAWN		CHK'D		LEVEL		0	
DATE		28-JUN-11		ECO		DRAWN		LZHU	
ECO		DRAWN		CHK'D		LEVEL		0	
DATE		28-JUN-11		ECO		DRAWN		LZHU	
ECO		DRAWN		CHK'D		LEVEL		0	
DATE		28-JUN-11		ECO		DRAWN		LZHU	
ECO		DRAWN		CHK'D		LEVEL		0	
DATE		28-JUN-11		ECO		DRAWN		LZHU	
ECO		DRAWN		CHK'D		LEVEL		0	
DATE		28-JUN-11		ECO		DRAWN		LZHU	
ECO		DRAWN		CHK'D		LEVEL		0	
DATE		28-JUN-11		ECO		DRAWN		LZHU	
ECO		DRAWN		CHK'D		LEVEL		0	
DATE		28-JUN-11		ECO		DRAWN		LZHU	
ECO		DRAWN		CHK'D		LEVEL		0	
DATE		28-JUN-11		ECO		DRAWN		LZHU	
ECO		DRAWN		CHK'D		LEVEL		0	
DATE		28-JUN-11		ECO		DRAWN		LZHU	
ECO		DRAWN		CHK'D		LEVEL		0	
DATE		28-JUN-11		ECO		DRAWN		LZHU	
ECO		DRAWN		CHK'D		LEVEL		0	
DATE		28-JUN-11		ECO		DRAWN		LZHU	
ECO		DRAWN		CHK'D		LEVEL		0	
DATE		28-JUN-11		ECO		DRAWN		LZHU	
ECO		DRAWN		CHK'D		LEVEL		0	
DATE		28-JUN-11		ECO		DRAWN		LZHU	
ECO		DRAWN		CHK'D		LEVEL		0	
DATE		28-JUN-11		ECO		DRAWN		LZHU	
ECO		DRAWN		CHK'D		LEVEL		0	
DATE		28-JUN-11		ECO		DRAWN		LZHU	
ECO		DRAWN		CHK'D		LEVEL		0	
DATE		28-JUN-11		ECO		DRAWN		LZHU	
ECO		DRAWN		CHK'D		LEVEL		0	
DATE		28-JUN-11		ECO		DRAWN		LZHU	
ECO		DRAWN		CHK'D		LEVEL		0	
DATE		28-JUN-11		ECO		DRAWN		LZHU	
ECO		DRAWN		CHK'D		LEVEL		0	
DATE		28-JUN-11		ECO		DRAWN		LZHU	
ECO		DRAWN		CHK'D		LEVEL		0	
DATE		28-JUN-11		ECO		DRAWN		LZHU	
ECO		DRAWN		CHK'D		LEVEL		0	
DATE		28-JUN-11		ECO		DRAWN		LZHU	
ECO		DRAWN		CHK'D		LEVEL		0	
DATE		28-JUN-11		ECO		DRAWN		LZHU	
ECO		DRAWN		CHK'D		LEVEL		0	
DATE		28-JUN-11							