

FE10LS.3... INLET MODULE UNITS WITH LS LINE WITH PRESSURE RELIEF VALVE (UP TO 40 l/min)



FE10LS.3...

Module units FE10LS.3... provide pressure relief valve with adjustable pressure setting ranges.

Manual adjustment is available by a grub screw or plastic knob. Maximum flow is 30 l/min.

Available with threaded ports (P and T) sizes G3/8" and LS size G1/4".

| | | |
|--------------------------|---|--------------|
| Max. operating pressure | 320 bar | |
| Setting ranges: | spring 1 | max. 50 bar |
| | spring 2 | max. 150 bar |
| | spring 3 | max. 320 bar |
| Max. flow | 40 l/min | |
| Hydraulic fluids | Mineral oils DIN 51524 | |
| Fluid viscosity | 10 ÷ 500 mm ² /s | |
| Fluid temperature | -25°C ÷ 75°C | |
| Ambient temperature | -25°C ÷ 60°C | |
| Max. contamination level | class 10 in accordance with NAS 1638 with filter $\beta_{25} \geq 75$ | |
| Weight | 0,4 Kg | |

ORDERING CODE

FE10LS Inlet module unit (up to 40 l/min) with pressure relief valve and LS line

3 Size

***** Port sizes:
1 = G3/8"

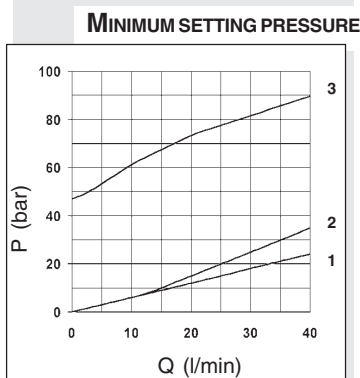
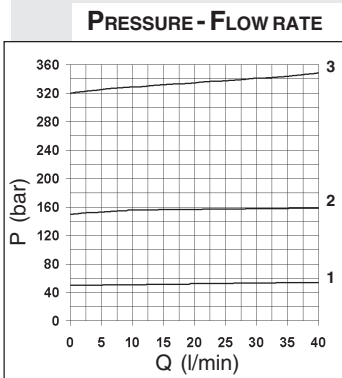
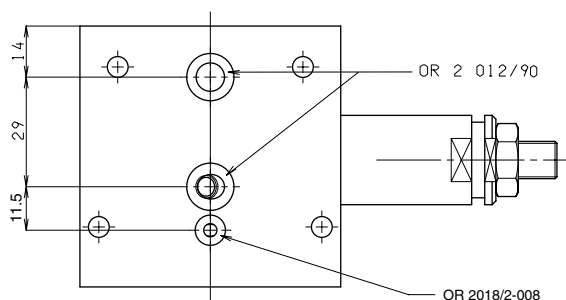
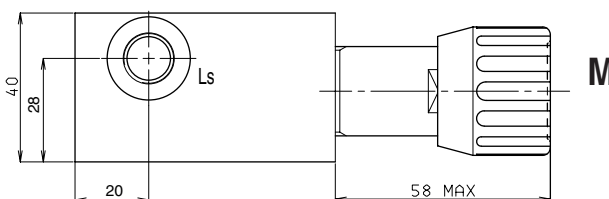
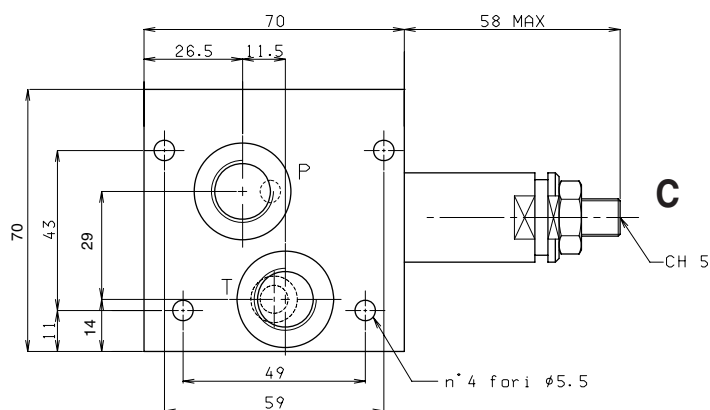
***** Adjustment:
M = Plastic knob
C = Grub screw

***** Setting ranges
1 = max. 50 bar (**white spring**)
2 = max. 150 bar (**yellow spring**)
3 = max. 320 bar (**orange spring**)

****** 00 = No variant
V1 = Viton

1 Serial No.

OVERALL DIMENSIONS AND HYDRAULIC SYMBOL



Type of adjustment

M = Plastic knob
C = Grub screw

