

AD.3.P... PNEUMATIC OPERATION TYPE VALVES CETOP 3/NG6



1



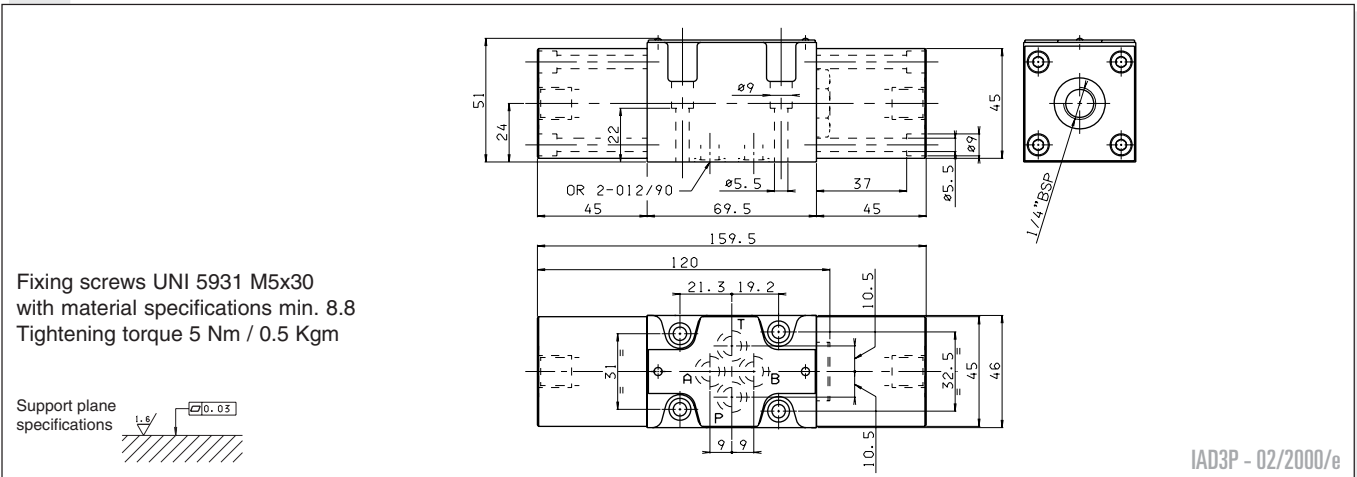
Max. pressure ports P/A/B	320 bar
Max. pressure port T	160 bar
Max. flow	60 l/min
Minimum operating pressure	$2 + [0.027 \times (pt^*)]$ bar - see note
Maximum operating pressure	20 bar
Fluid viscosity	$10 \div 500$ mm ² /s
Fluid temperature	-25°C ÷ 75°C
Ambient temperature	-25°C ÷ 60°C
Max. contamination level	class 10 in accordance with NAS 1638 with filter $\beta_{25} \geq 75$
Weight single pilot	1,2 Kg
Weight twin pilot	1,8 Kg

• Possible mountings:
C/D/E/F/G/H/I L/M

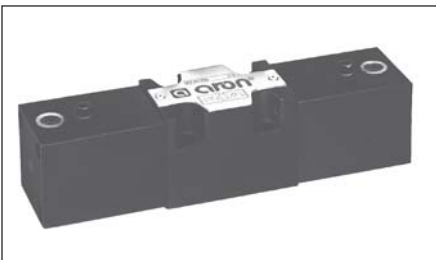
Ordering code see page before

(pt*) = pressure at port T

OVERALL DIMENSIONS



AD.3.O... OLEODYNAMIC OPERATION TYPE VALVES CETOP 3/NG6



Max. pressure ports P/A/B	320 bar
Max. pressure port T	160 bar
Max. flow	60 l/min
Minimum operating pressure	$15 + [0.1 \times (pt^*)]$ bar - see note
Maximum operating pressure	250 bar
Fluid viscosity	$10 \div 500$ mm ² /s
Fluid temperature	0°C ÷ 75°C
Ambient temperature	-25°C ÷ 60°C
Max. contamination level	class 10 in accordance with NAS 1638 with filter $\beta_{25} \geq 75$
Weight single pilot	1,5 Kg
Weight twin pilot	2,3 Kg

• Possible mountings:
C/D/E/F/G/H/I L/M

Ordering code see page before

(pt*) = pressure at port T

The DI variant is recommended in the environments characterised by the presence of dust or any type of contamination.

Further technical specifications (for DI variant only)

Minimum operating pressure	$[10 + (pt^*)]$ bar - see note
Maximum operating pressure	250 bar
Max. piloting leakage	1 l/min

OVERALL DIMENSIONS

