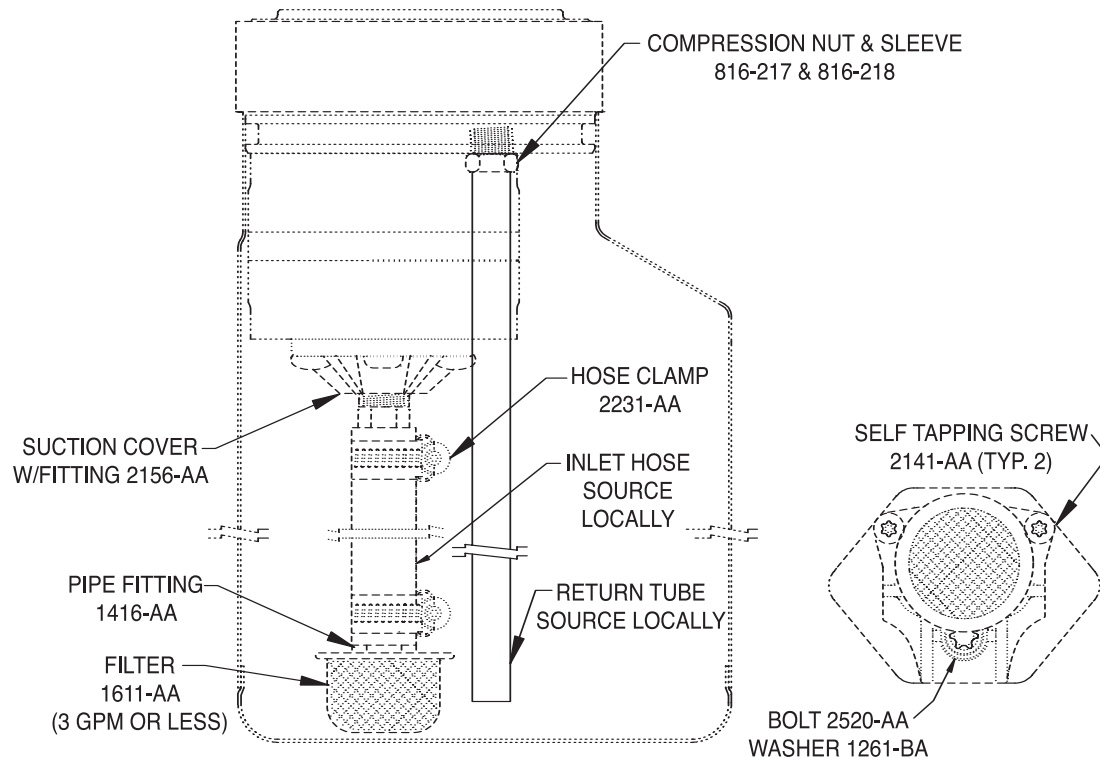


KV

PLUMBING KIT VERTICALLY MOUNTED UNITS



Parts may be assembled in either orientation depending on mounting of power unit.

For flows over 3 GPM use 1413-AA large filter.